



**FIXED DISPLACEMENT PUMPS FOR TRUCKS**

# **XR RANGE**



**THE POWER SOLUTION  
AT THE HEART OF OUR CUSTOMERS' MOBILITY**

**LOW NOISE | COMPACT DESIGN | HIGH PERFORMANCE**



# FIXED DISPLACEMENT PUMPS FOR TRUCKS | XR SERIE

## FEATURES AND BENEFITS

### THE PRODUCT

Bi-material back cover  
 Easy to change direction of rotation  
 7 pistons design  
 Synchronization between the plate and the cylinder  
 Use of high mechanical resistance materials  
 Reinforced sealing  
 High overall efficiency  
 Optimized overall envelop  
 Inlet fitting supplied with the pump  
 Low noise level  
 Flange and shaft for truck application, according to DIN ISO 14  
 High self-priming speed

### THE USE

The XR serie is designed for truck equipment (truck cranes, forestry cranes, booms, multi-buckets, stabilizing jacks), winter equipment (spreaders, snow ploughs, turbines), fire trucks and more.

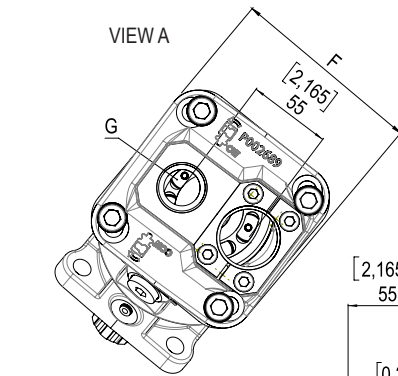
An ideal product for heavy-duty use, the XR series has a long service life and reliable performance in a variety of conditions, thanks to its many innovative features.



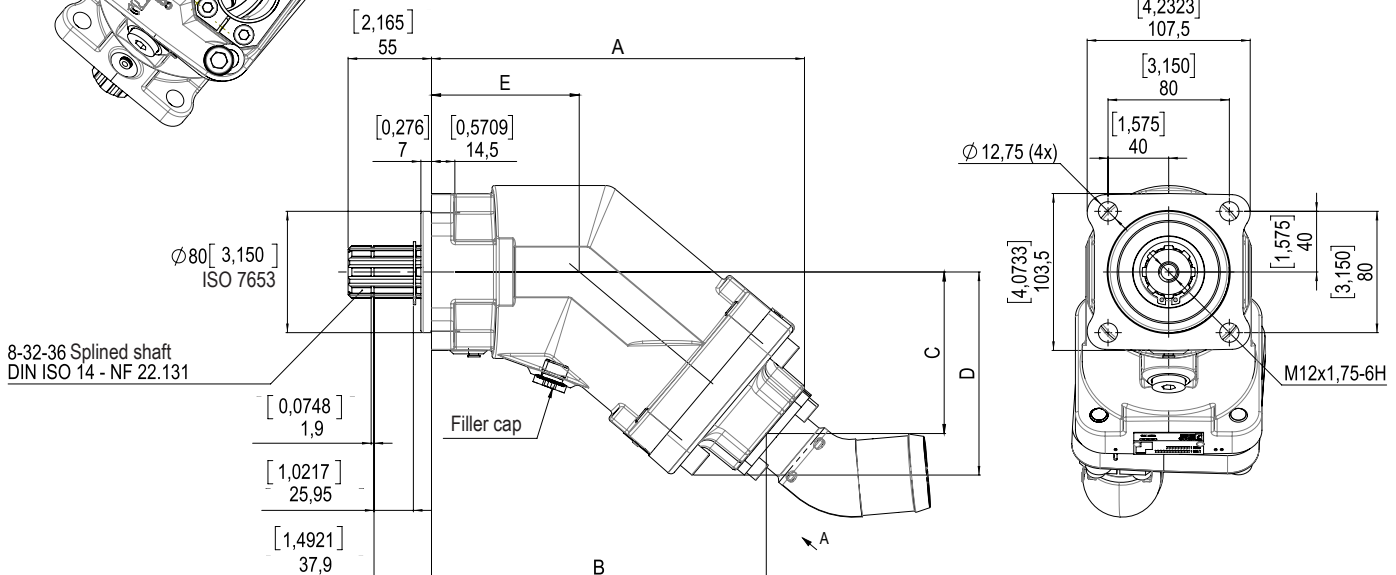
Pump reference	Direction of rotation	Displacement (cc/rev)	Max. continuous pressure (bar)	Pressure max. at peak < 5 seconds (bar)	Max. speed <sup>(1)</sup> (rpm)	Max. torque absorbed at 400 bar (N.m)	Weight		Overhang torque	
							Without inlet fitting (kg)	With inlet fitting 2" (kg)	Without inlet fitting (N.m)	With inlet fitting 2" (N.m)
XR63-P002890R	Right (CW)	63	400	450	2350	401,5	11,40	11,98	11,97	12,77
XR63-P002890L	Left (CCW)									
XR80-P002820R	Right (CW)	80	400	450	2350	512,2	14,89	15,47	17,21	18,73
XR80-P002820L	Left (CCW)									
XR108-P002880R	Right (CW)	108	400	450	2000	689,9	15,16	15,74	17,88	19,07
XR108-P002880L	Left (CCW)									
XR130-P002885R	Right (CW)	130	400	450	1850	827,3	15,39	15,97	18,01	19,55
XR130-P002885L	Left (CCW)									

(1) At absolute pressure 1 bar, ISO VG46 fluid at 25°C.

## DIMENSIONS IN MM [INCHES]

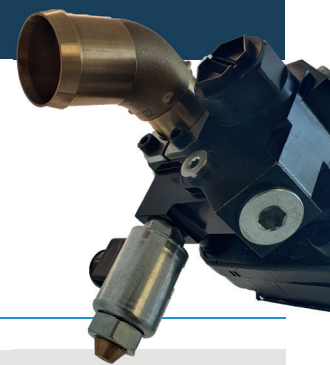


Pump reference	A	B	C	D	E	F	G
XR63	220,7 [8.6889]	196,6 [7.7402]	95,2 [3.7480]	120,1 [4.7283]	85,7 [3.3740]	111,2 [4.3779]	G3/4"
XR80 / 108	245,9 [9.6811]	220,7 [8.6889]	106,5 [4.1929]	133,9 [5.2716]	97,4 [3.8346]	127,7 [5.0275]	G1"
XR130	248,2 [9.7716]	223 [8.779]	108,5 [4.2716]	136,5 [5.3740]	97,4 [3.8346]	127,7 [5.0275]	G1"



Dimensions in mm [inches] are given as an indication.

# XR ACCESSORIES | BPR BY-PASS VALVE



For XR pump applications where the pump is driven by a continuous running PTO (which cannot be disengaged), this solution allows the continuous running of the pump:

- Without creating problems of fluid overheating;
- Without affecting pump service life;
- With no modifications necessary to the hydraulic circuit of the equipment.

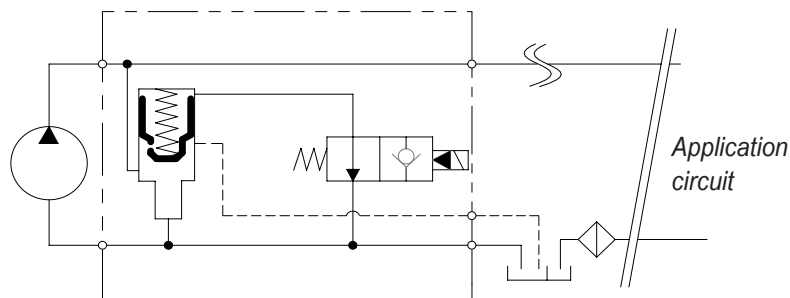
## OPERATING MODE OF THE BY-PASS VALVE

The by-pass valve is a solenoid valve.

When not activated, it enables pump output to link up to pump inlet.

When it is activated, the pump operates normally (output flow).

**A drain line has to be installed between the by-pass valve and the hydraulic tank of the vehicle to ensure sufficient oil circulation and a good cooling into the pump. In any case, the connection to the tank must be done below the oil level.**

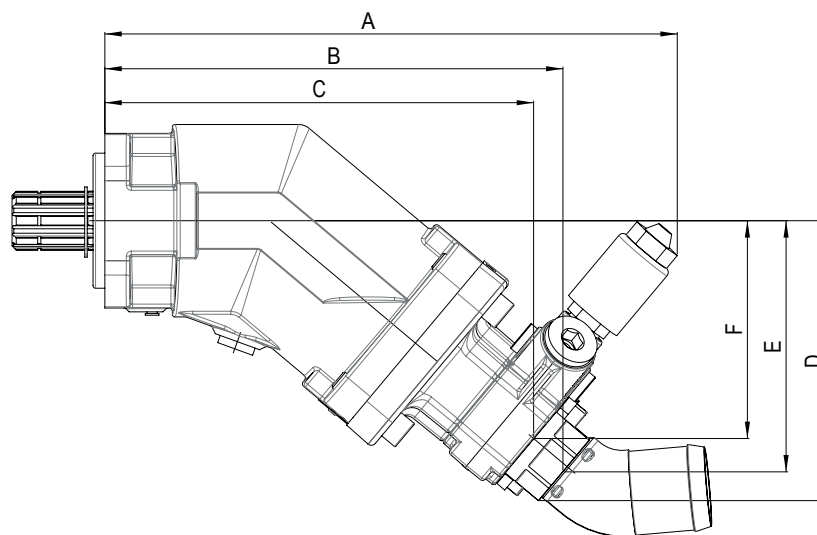
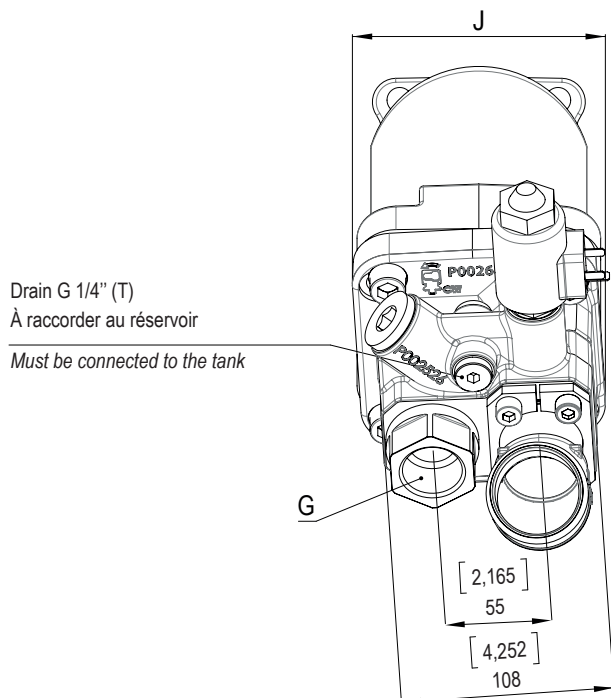


Part number	Pump reference	Description
BPR63-P002965	XR63	Connector EN175301-803-A (24 Vdc)*
BPR80-P002940	XR80 to XR130	Connector EN175301-803-A (24 Vdc)*

\*Also available with DEUTSCH DT04-2P connector (24 Vdc) on request

## DIMENSIONS IN MM [INCHES]

Pump reference	A	B	C	D	E	F	G	J
XR63	314,2 [12.3701]	247,2 [9.7323]	229 [9.016]	154,8 [6.0945]	137,5 [5.4134]	118,8 [4.6772]	G3/4"	111,2 [4.3779]
XR80 / 108	339,2 [13.3543]	271,4 [10.6850]	254 [10]	165,8 [6.5276]	148,8 [5.8583]	129,1 [5.0827]	G1"	127,7 [5.0275]
XR130	340,9 [13.4212]	273,7 [10.7756]	256,3 [10.0905]	167,8 [6.6063]	150,7 [5.9331]	131 [5.157]	G1"	127,7 [5.0275]

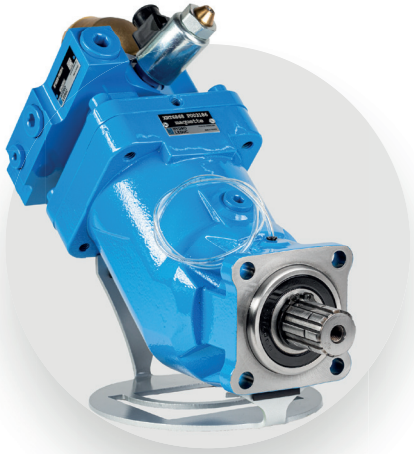


## XR OVERHANG TORQUE WITH BYPASS

Pump reference	Weight		Overhang torque	
	Without inlet fitting (kg)	With inlet fitting 2" (kg)	Without inlet fitting (N.m)	With inlet fitting 2" (N.m)
XR63	14,21	14,83	17,97	19,63
XR80	17,62	18,24	24,54	26,34
XR108	17,91	18,54	24,68	26,50

# FIXED DISPLACEMENT PUMPS FOR TRUCKS | XRT SERIE

## FEATURES AND BENEFITS



### THE PRODUCT

- Dual flow piston pump of 68 cc/rev + 68 cc/rev
- 2 x 5 piston design
- Synchronization between the plate and the cylinder
- Use of high mechanical resistance materials
- Reinforced sealing
- High overall efficiency
- Optimized overall envelop
- Inlet fitting supplied with the pump
- Low noise level
- Flange and shaft for truck application, according to DIN ISO 14
- High self-priming speed
- Mounting on engine rear port possible with BPT by-pass valve

### THE USE

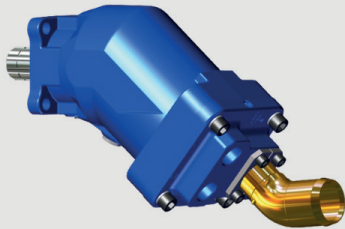
Our new XRT serie is designed for truck equipment (truck cranes, forestry cranes, booms, multi-buckets, stabilizing jacks), winter equipment (spreaders, snow ploughs, turbines), fire trucks and more.

Our new split flow pump is the ideal solution for applications requiring two independent circuits, and is specially adapted for mounting on a disengageable power take-off or engine rear drive (with BY-PASS BPT).

Pump reference	Direction of rotation	Displacement (cc/rev)	Max. continuous pressure (bar)	Pressure max. at peak < 5 seconds (bar)	Max. speed <sup>(1)</sup> (rpm)	Max. torque absorbed at 380 bar (N.m)	Weight		Overhang torque	
							Without inlet fitting (kg)	With inlet fitting 2" (kg)	Without inlet fitting (N.m)	With inlet fitting 2" (N.m)
XRT6868-P002784	Right (CW)	68 + 68	380	420	1400	823	18,7	19,3	23,8	24,6

(1) At absolute pressure 1 bar, ISO VG46 fluid at 25°C.

## HOW DOES IT WORK

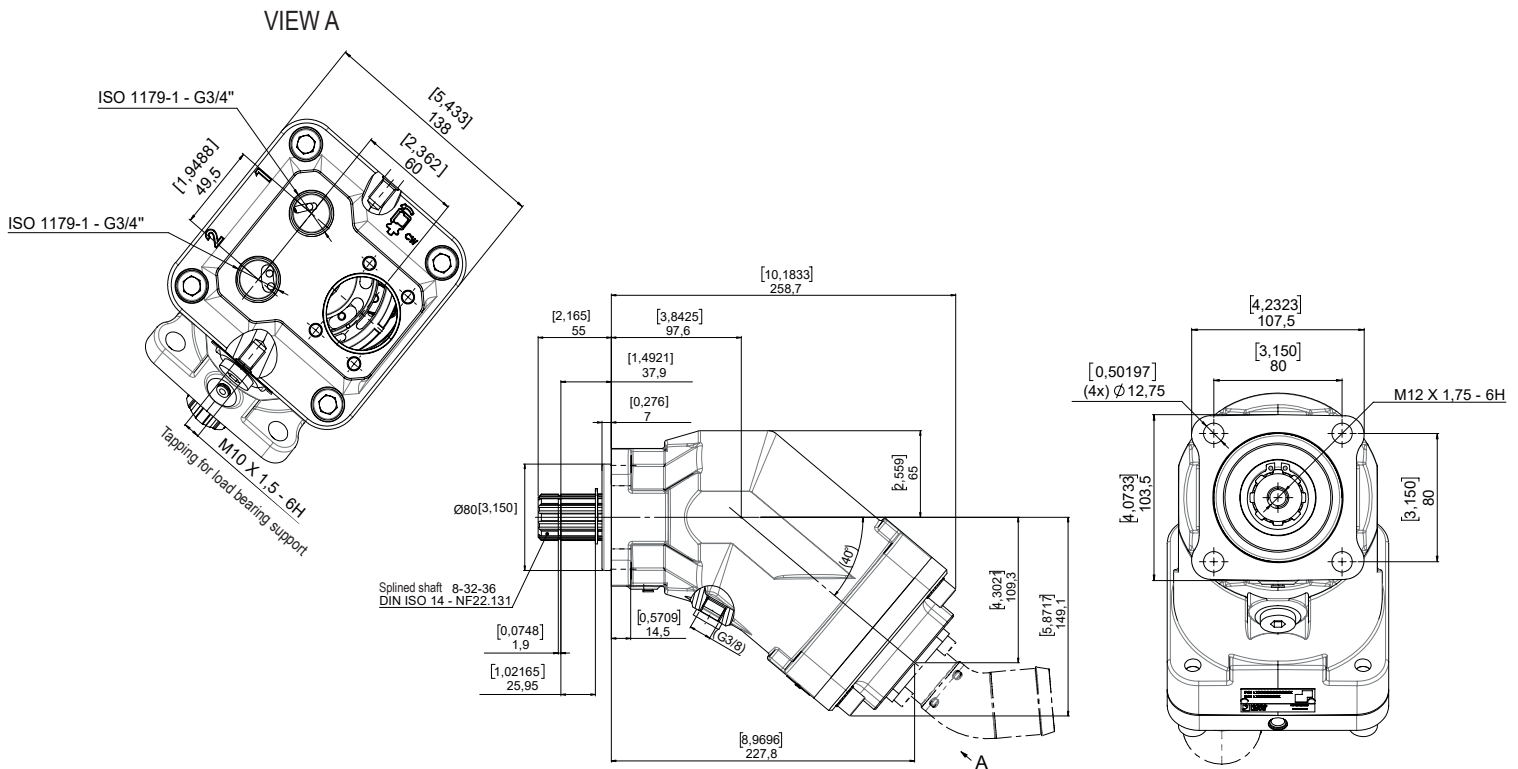


### XRT6868

Watch the 3D animation video



## DIMENSIONS IN MM [INCHES]



# XRT ACCESSORIES | BPT BY-PASS VALVE



For XRT pump applications where the pump is driven by a continuous running PTO (which cannot be disengaged), this solution allows the continuous running of the pump:

- Without creating problems of fluid overheating;
- Without affecting pump service life;
- With no modifications necessary to the hydraulic circuit of the equipment.

## OPERATING MODE OF THE BY-PASS VALVE

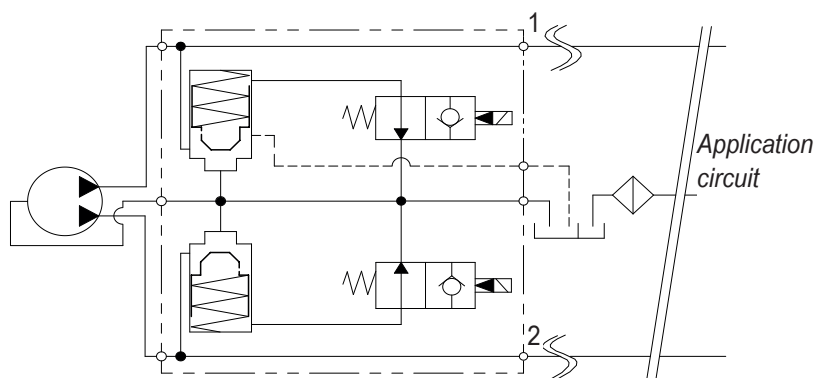
The by-pass valve is a solenoid valve.

When not activated, it allows both pump outputs to link up to pump inlet at the same time.

It has 3 modes of activation:

- 2-way activated: It sets the pump to normal operation,
- « Port 1 » activated: It allows the discharge marked « 1 » to be put in a normal operating situation. The discharge « 2 » is connected to the pump suction,
- « Port 2 » activated: This puts the discharge marked « 2 » in normal operation. Discharge « 1 » is connected to the pump suction.

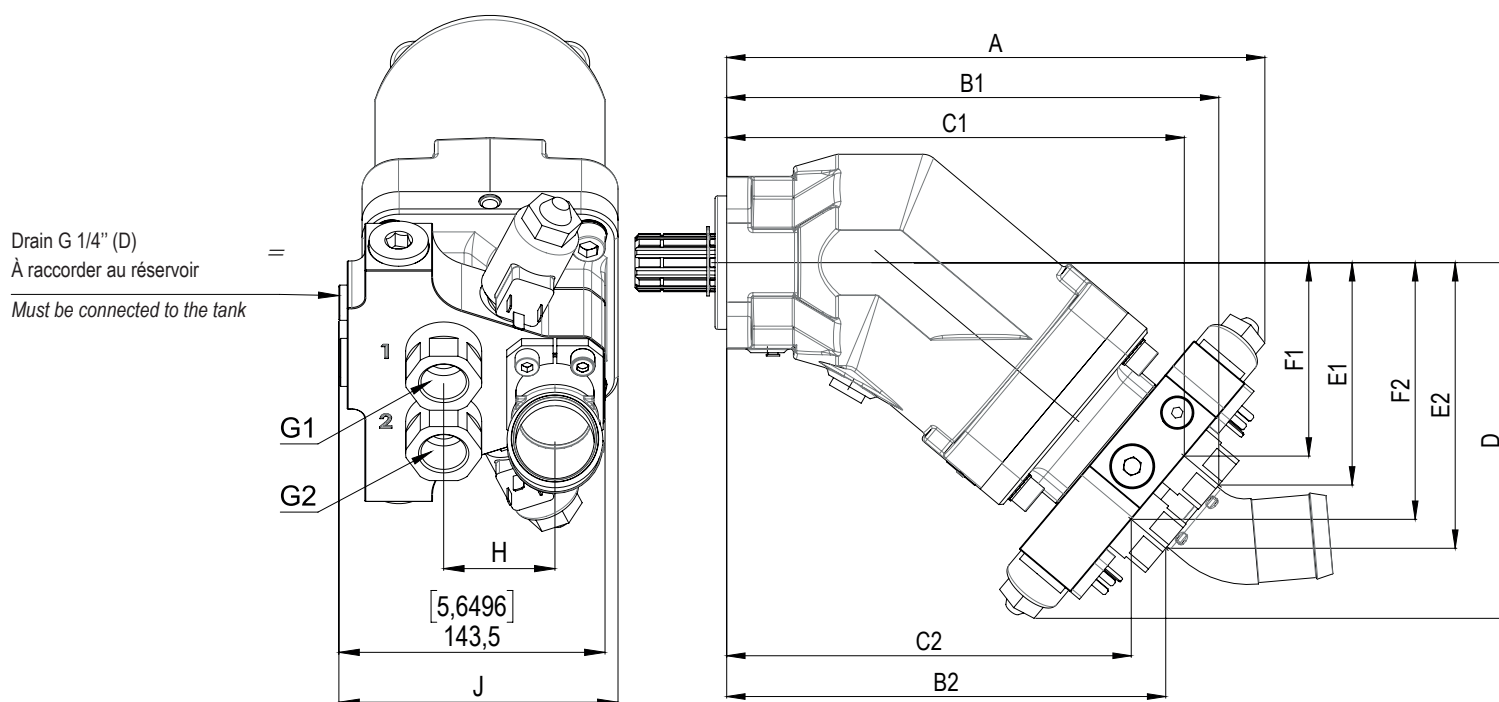
A drain line has to be installed between the by-pass valve and the hydraulic tank of the vehicle to ensure sufficient oil circulation and a good cooling into the pump.



Part number	Pump reference	Description
BPT6868-P002811	XRT6868	Connector DEUTSCH DT04-2P (24 Vdc)
BPT6868-P002814		Connector EN175301-803-A (24 Vdc)

## DIMENSIONS IN MM [INCHES]

Pump reference	A	B1	B2	C1	C2	D	E1	E2	F1	F2	G1	G2	H	J
XRT6868	322,7 [12.7047]	295,1 [11.6181]	263,3 [10.3661]	274,4 [10.8031]	242,6 [9.5512]	213,3 [8.3976]	133,3 [5.2480]	171,3 [6.7441]	116 [4.5669]	153,9 [6.0591]	G3/4"	G3/4"	60 [2.3622]	150,5 [5.9252]



## XRT OVERHANG TORQUE WITH BYPASS

Pump reference	Weight		Overhang torque	
	Without inlet fitting (kg)	With inlet fitting 2" (kg)	Without inlet fitting (N.m)	With inlet fitting 2" (N.m)
XRT6868	23,6	24,1	34,8	36,3

# FIXED DISPLACEMENT PUMP FOR TRUCKS | XRE SERIE

## FEATURES AND BENEFITS



### THE PRODUCT

- Specially designed for electric power take-off (ePTO).
- Piston pump with a displacement of 41 cc.
- 9-piston design for reduced pulsation and lower noise level
- Innovative timing for better performance
- Use of high strength materials
- Reinforced sealing
- High self-priming speed
- Optimized overall envelop
- Synchronization between the plate and the barrel
- Inlet fitting supplied with the pump
- Flange and shaft for truck application, according to DIN ISO 14

### THE USE

The XRE serie is designed for truck equipment (truck cranes, forestry cranes, booms, multi-buckets, stabilization jacks), winter equipment (spreaders, snow ploughs, turbines), fire trucks and more.

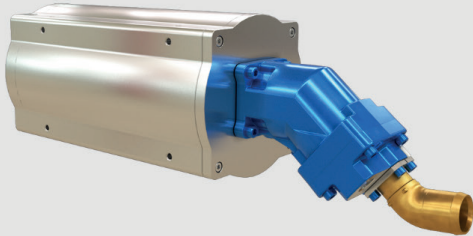
Our new XRE serie is quiet and efficient for your electrical applications.

Hydro Leduc's new generation of bent axis pumps uses the latest technologies, such as additive manufacturing.

Pump reference	Direction of rotation	Displacement (cc/rev)	Max. continuous pressure (bar)	Pressure max. at peak < 5 seconds (bar)	Max. speed <sup>(1)</sup> (tr/min)	Max. torque absorbed at 400 bar (N.m)	Weight		Overhang torque	
							Without inlet fitting (kg)	With inlet fitting 2" (kg)	Without inlet fitting (N.m)	With inlet fitting 2" (N.m)
XRE41-P003000	Right (CW)	41	400	450	2800	262,4	10,44	11	10,15	11,42

(1) At absolute pressure 1 bar, ISO VG46 fluid at 25°C.

## HOW DOES IT WORK



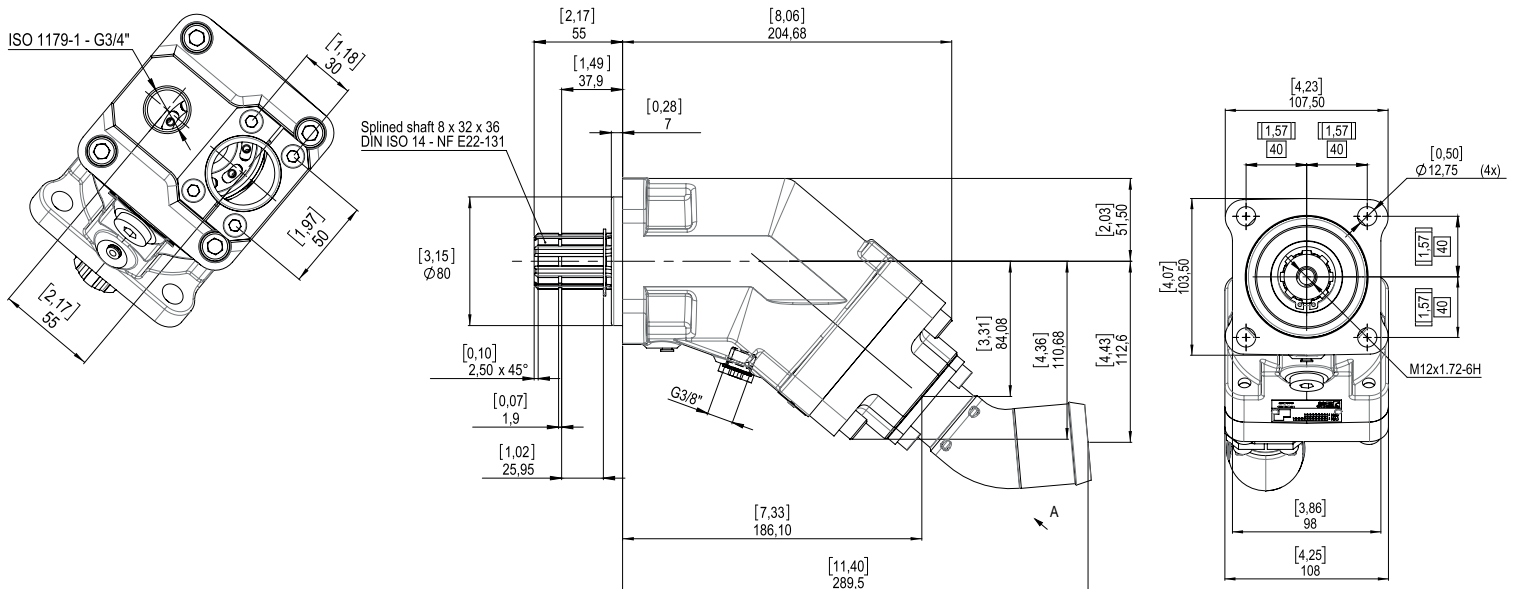
### e-PTO + XRE41

Watch the 3D animation video



## DIMENSIONS IN MM [INCHES]

VIEW A

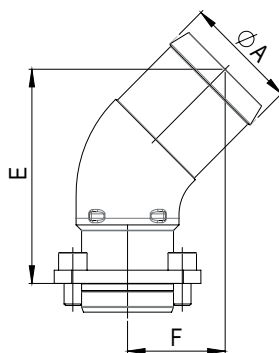


Dimensions in mm [inches] are given as an indication.

# INLET FITTING FOR XR, XRT AND XRE PUMPS

Référence pipe	Ø durite	ØA	E	F
P002787	2"	52	97	44,6
P002786*	Ø2-1/2"	65	112	52,1

\*Soon available



## SOME APPLICATIONS OF XR, XRT AND XRE PUMPS



Truck mixer



Crane



Car-transporter



Mobile crane



Refuse truck



Tank



Skiploader



Tipper



Concrete pump



Platform

## (RE)DISCOVER OUR GEP7.3 POWER PACK UNIT

### FEATURES AND BENEFITS

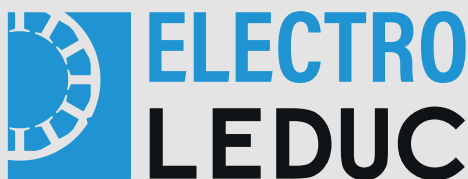
#### THE PRODUCT

- Electric motor + pump assembly up to 14kW
- Three-phase brushless electric motor (robust design)
- 7.3 cc/rev radial piston pump
- Integrated electronic controller
- Rated voltage of 24Vdc or 48Vdc
- Design for continuous operation
- Can be immersed in the oil tank (without controller)
- Extremely compact and lightweight
- High overall efficiency
- Designed for mobile applications

#### THE USE

- Particularly suitable for hybrid vehicles, the pump unit is easy to use, compact and light.
- The GEP7.3 electric pump unit consists of a brushless DC electric motor, a variable speed drive and a hydraulic radial piston pump.
- The oil circulation inside the unit provides optimal cooling of the motor and allows it to operate continuously. It can also be immersed (without the variator) in the oil tank.

### HOW DOES IT WORK



## GEP7.3

Watch the 3D animation video



All catalogs available on [hydroleduc.com](http://hydroleduc.com)

### **HYDRO LEDUC SAS**

HEADQUARTERS AND FACTORY  
BP 9  
F-54122 AZERAILLES  
FRANCE  
TÉL. +33(0)3 83 76 77 40  
commercial\_france@hydroleduc.com  
exportsales@hydroleduc.com

### **HYDRO LEDUC GMBH**

AM ZIEGELPLATZ 20  
D-77746 SCHUTTERWALD  
ALLEMAGNE  
TÉL. +49 (0) 781-9482590  
info.hld@hydroleduc.com

### **HYDRO LEDUC AB**

BETONGVÄGEN 11  
461 38 TROLLHÄTTAN  
SUEDE  
TÉL. +46 (0) 520 10 820  
contact.nordic@hydroleduc.com

### **HYDRO LEDUC N.A., INC.**

GRAND PARKWAY INDUSTRIAL PARK  
23549 CLAY ROAD  
KATY, TX 77493  
USA  
TÉL. +1 281 679 9654  
us\_sales@hydroleduc.com

### **HYDRO LEDUC BV**

ERICSSONSTRAAT 2  
5121 ML RIJEN  
THE NETHERLANDS  
TÉL. +31 6 202 40 651  
jtaekema@hydroleduc.com

### **HYDRO LEDUC CHINA**

TÉL. 0086-135 0173 6698  
china-hl@hydroleduc.com

### **HYDRO LEDUC ITALY**

TÉL. +39 340 466 1742  
ppavia@hydroleduc.com



HYDRO LEDUC  
SAS AU CAPITAL DE 4 065 000 €  
EORI FR31902742100019  
RC NANCY B 319 027 421  
contact@hydroleduc.com  
hydroleduc.com